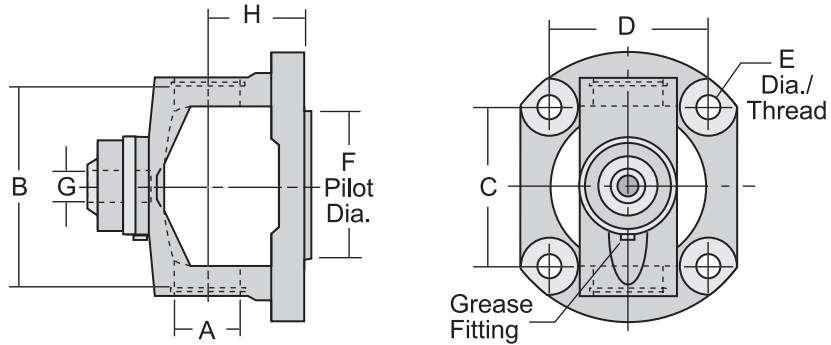


More New Products from



1310 Series CV Centering Assembly

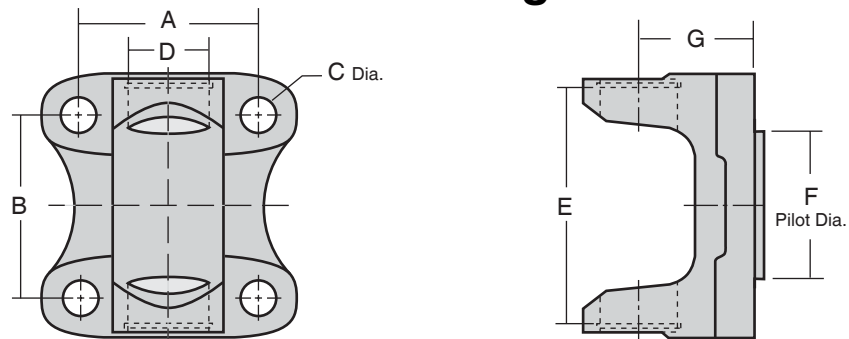


1310 Series

Use RDL Kit - K153

RDL Part No.	Yoke Type	A Bearing Dia.	B U-Joint Lockup	Bolt Hole Dim.			F Pilot Dia.	G Socket Dia.	H CL to Flng End	Repair Kit
				C	D	E				
R2-21-3191	Type 1	1.063	3.217-O	2.642	2.642	.393	2.559-M	.500	1.625	404-0

1310 Series Flange Yoke



1310 Series

Use RDL Kit - K153

RDL Part No.	Yoke Type	A Bearing Dia.	B U-Joint Lockup	C Pilot Dia.	Holes	Bolt Hole Dim.			G CL to Flng End	Bolt Circle
						D	E	F		
R2-2-3192	Type 1	1.063	3.217-(O)	2.375-M	4	.393	2.390	2.015	1.500	3.125

Build a new front driveshaft for the 1999-2004 Land Rover Discovery using these handy 1310 conversion parts